

GUARANTEE AND CONTACT DETAILS

GUARANTEE

Terms and Conditions for UK (outside UK contact your local distributor)

We, Applied Energy Products Limited, guarantee this product **for domestic use only**, for the period of 24 months from the date of purchase.

Within the guarantee period we will resolve, **free of charge**, any manufacturing defects in the product resulting from faulty workmanship or material on condition that:-

- a) The appliance has been correctly installed in accordance with our instructions and is being used on the supply circuit or voltage printed on the rating plate.
- b) The appliance has been used in accordance with these instructions and has not been tampered with or otherwise subject to misuse, neglect or accident.
- c) The appliance has not been taken apart, modified or repaired except by a person authorised by us.
- d) Evidence of the date of purchase in the form of an invoice or receipt will be required in order to qualify for an in-guarantee repair.
- e) For the service work to be undertaken free of charge, the work must be only undertaken by Applied Energy Products Limited, or our approved agents.
- f) Service under guarantee has no effect on the expiry date. The guarantee on any exchanged parts or product ends when the original guarantee period ends.

EXCLUSIONS

This guarantee **DOES NOT** cover damage or defects arising from poor or incorrect installation, improper use or lack of maintenance, including build-up of limescale. It is the responsibility of the installer to check that the installation parameters meet the requirements of the product, and any relevant regulations.

If we are called out to a fault, which is subsequently identified as being an installation fault, we will make a charge. It is important that the routine checks are completed before calling us out, as many issues can be simply diagnosed and resolved.

We make no guarantees as to response times for repairs. We will endeavour to achieve the most timely response possible but while we indicate an average response time, this should not be taken as a guarantee.

The guarantee applies to a repair or replacement (at our discretion) of the product subject to the conditions above, and **DOES NOT** cover compensation for the loss of the product or consequential loss of any kind.

The guarantee does not apply to sprayheads, hoses, in line filters and accessories.

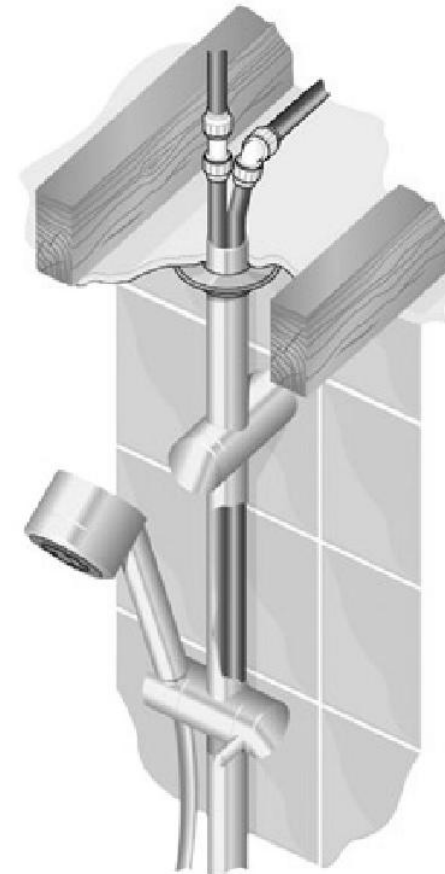
This guarantee does not affect your statutory rights.

Full details of terms and conditions are available on request from:-

APPLIED ENERGY PRODUCTS LIMITED
MORLEY WAY, PETERBOROUGH PE2 9JJ
TEL: +44 (0) 1733 456789
FAX: +44 (0) 1733 310606
Website: www.applied-energy.com

selectronic mixer*

SLT1 - SELECTRONIC THERMOSTATIC MIXER SHOWER



Installation and User Guide

IMPORTANT

This booklet should be left with the user after installation and demonstration

* GB Patent 2430152

System Requirements

The SLT1 Selectronic Shower assembly can be used on systems with pressures from 0.2 bar (2 m head) to 10 bar. The maximum hot to cold pressure differential should not exceed 2 bar at higher pressures or 0.2 bar at very low pressures. (See Fig. 3 for layout of a typical gravity fed system).

Designation

Your shower has been tested and approved to the TMV3 Thermostatic mixer valve scheme, designation HP-S and LP-S.

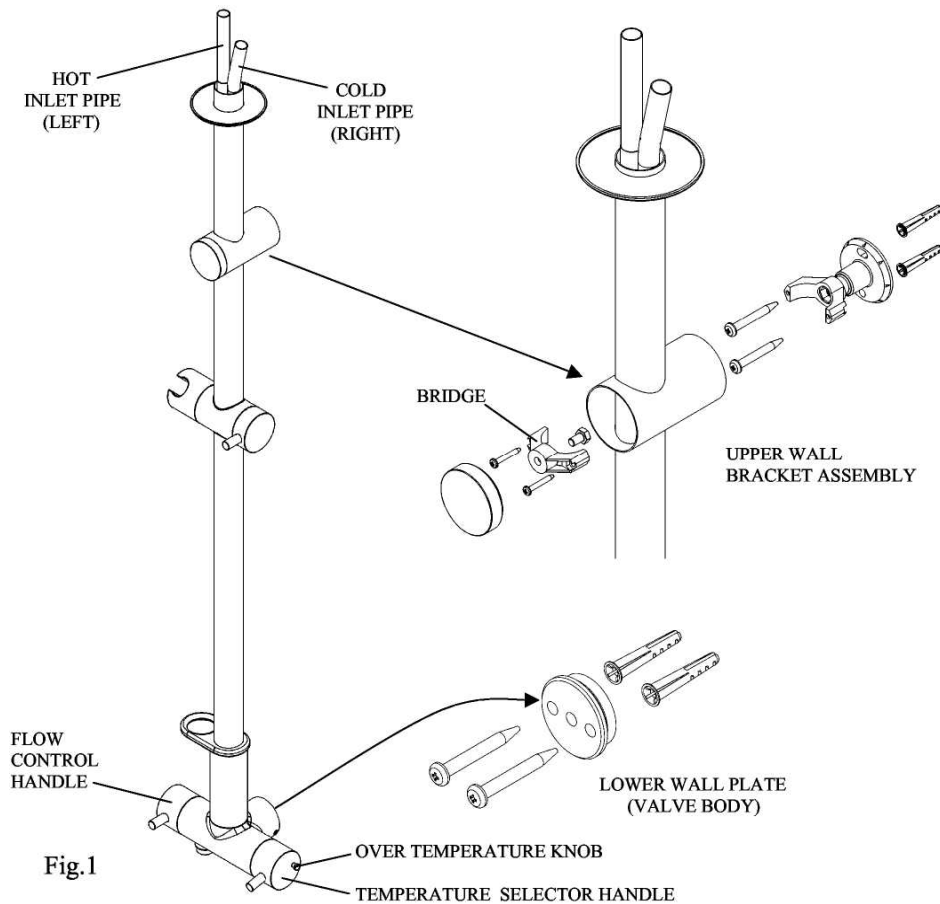
When Commissioned, In Service tested and Maintained as detailed in the separate booklet, the SLT1 Selectronic Thermostatic Mixer Shower is suitable for use in TMV3 applications.

Shower heads

Use the single function handset for pressures 0.2 bar to 1 bar.

Use the three function handset for pressures 1 bar to 10 bar.

INSTALLATION & OPERATING INSTRUCTIONS FOR THE SLT1 SELECTRONIC SHOWER



AFTER SALES SERVICE

We offer a technical advisory service on the telephone to installers and other customers with problems in the field.

Ring 0870 9000 430 (UK Only)

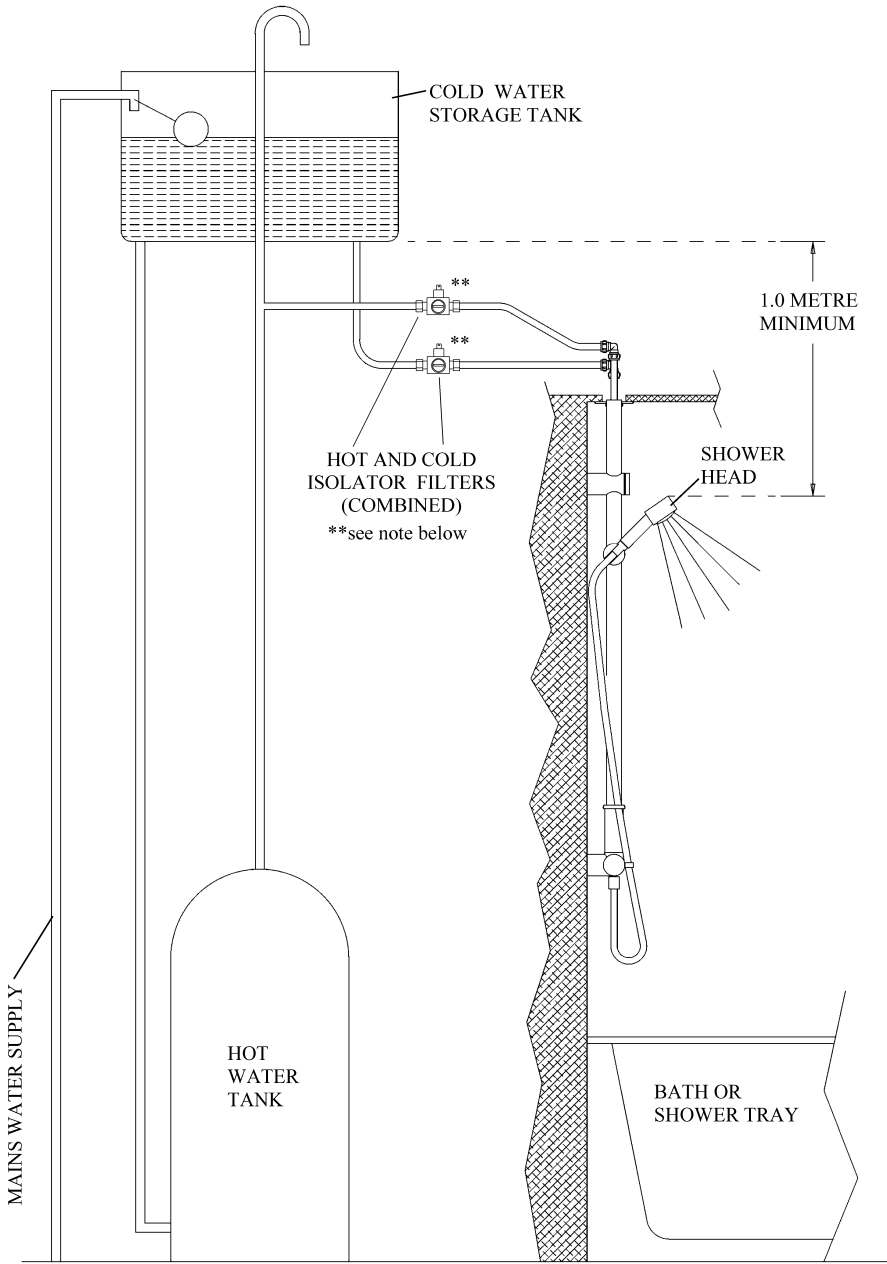
Ring your local dealer (Export products)

Some spare parts can be supplied against credit or debit cards. For details :

Ring 0870 9000 420 (UK Only)

Remember to quote the Short Code for the shower (SLT1).

Figure 3 PLUMBING DIAGRAM FOR GRAVITY FED INSTALLATIONS



** The SLT1 Selectronic shower is supplied with two isolator valves with built in filters. In order to protect the mixer valves thermostatic cartridge, these MUST be fitted inline with the hot and cold feeds supplying the mixer as shown. (Ensure the system has been flushed through prior to connection).

Installation Summary

(Installation must be carried out by a competent qualified IPHE or CORGI registered plumber. Please also read the detailed instructions overleaf).

The SLT1 Selectronic Thermostatic Mixer Shower Assembly can be fitted and plumbed into a shower room in a fraction of the time normally taken to install a conventional mixer shower.

In essence, the installer chooses a suitable site, cuts a hole in the ceiling of the room, fixes two brackets to the wall, locates the SLT1 Selectronic Shower Assembly in place and then connects the hot and cold pipes to the buildings plumbing system within the roof or between floors.

If a pumped shower is required then the hot and cold shower inlet pipes are connected to the respective hot and cold outputs of a suitable pump and the pump is in turn connected to the buildings plumbing system.

Normal conditions of use

	High Pressure	Low Pressure
Maximum Static pressure – Bar	10	10
Flow pressure, Hot & Cold – Bar	1 to 5	0.2 to 1
Hot to Cold differential – Bar	2	0.2
Hot supply Temperature - °C	52 to 65	52 to 65
Cold supply temperature - °C	5 to 20	5 to 20
Minimum Temperature Differential - °C	10	10

Mixed Water Temperature

Application	Mixed water temperature (at point of discharge)	
Shower	38°C (at override point)	41°C (maximum)

Installation instructions in Detail

Figure 3 shows a typical plumbing arrangement for the SLT1 Selectronic Shower Assembly.

Check the position of ceiling beams and avoid these when marking out a suitable position. If a beam or obstruction is close to the intended position for the hot and cold pipe connections then the angled cold inlet pipe can be rotated by hand to a more suitable position.

This is best done prior to fixing the Shower Assembly to the wall so it is most important that the beams and their position in relation to the intended shower position are checked thoroughly before other work is started.

Once a suitable position for the Shower assembly has been established and the ceiling beams checked out, mark out the position of the ceiling hole and that of the two fixing brackets as shown in Fig 2, using a plumb line if necessary.

The centre of the upper fixing bracket can be varied to suit a particular installation since the bracket has no fixed position on the main tube, however, a centre position 230mm from the ceiling to the centre of the bracket will suit most installations.

For the bottom valve bracket, a centre position 1075mm from the ceiling will suit most installations although it can be less than this length if considered appropriate.

Cut a hole of approx. 60mm diameter the centre of which should be 60mm away from the wall and drill the four bracket holes (7.0mm drill) and fasten both brackets in position using the plugs and screws provided.

Offer up the SLT1 Selectronic Shower assembly ensuring that the inlet pipe end caps are in position in order to stop debris entering the inlet pipes.
Push the pipe ends and main tube through the ceiling hole whilst locating the bracket tube over the upper bracket.

Locate the valve body over the bottom wall plate and hold it in position whilst tightening the Valve Body grub screws with the socket key provided.
Ensure that the ceiling plate can be pushed into position flush with the ceiling.
Screw the Upper tube fixing Bridge as illustrated in fig.1 onto the Upper Fixing Bracket and then screw the Upper Fixing Bracket Cap onto the projecting thread.

Once the Shower assembly has been completely secured to the wall, the pipe end caps can be removed (pull off protective caps, never cut them off or pipe will be damaged).
The hot and cold pipes on the shower assembly can then be connected to the buildings plumbing system (Ensure prior to this final connection that debris has been flushed or removed from the buildings interconnecting pipes).

The inline isolator filters supplied MUST be fitted as shown in Fig 3).
John Guest 'Speedfit' push on fittings are recommended for the SLT1 Selectronic showers hot and cold pipe inlet connections.
Some repositioning of the angled cold inlet pipe can be carried out if necessary by rotating the cold pipe by hand.

Important : Two local isolator taps (with built in filters) are supplied with this unit. These MUST be fitted in the hot and cold pipes supplying the mixer. (See Figure 3)

The hose can now be screwed to the Valve Body outlet at the base of the Valve Body.
Please note that the tapered cones on the ends of the Shower Hose are of different lengths.
The Longer length is attached to the shower handset.

The shower handset support has been designed to enable the angle of the handset and its position on the main rail to be adjusted using one clamp.
To adjust either, simply untighten the clamp handle anticlockwise and then retighten after either or both of the required adjustments have been made.

NOTE : The handset holder can be adjusted by tightening the internal friction screw, a 4mm hexagonal driver is required.

(Remove the rotating handle and its internal cover. Then undo the two through screws to allow removal of the clamp assembly. Tighten the single central hexagonal screw).

User instructions (Refer to Figure 1, Page 2)

- Start and stop the shower by turning the handle on the left hand end of the control bar.
(Fully anti-clockwise to Start and fully clockwise to turn Off)
- Adjust the temperature by turning the handle on the right hand end of the control bar.
(Anti-clockwise to Increase the temperature and clockwise to Reduce)
- The temperature selector handle will come to a stop at about 38°C
- To adjust the temperature above the stop point (to a maximum of 41°C), pull out the over temperature knob and continue rotating anti-clockwise.

NOTE : Backflow prevention

The SLT1 Selectronic thermostatic mixer shower incorporates a non return valve in the Hot and Cold pipes in order to prevent water backflow.

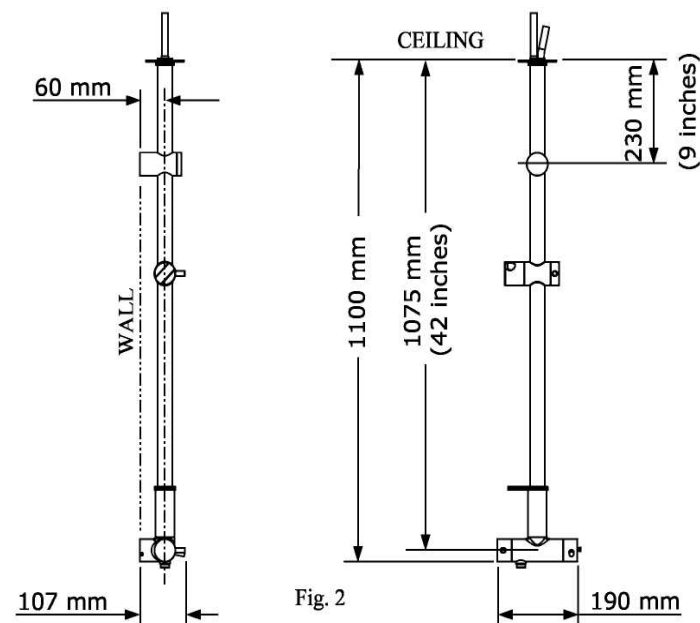


Fig. 2